



"Reinventing the Battery Fuel Gauge"

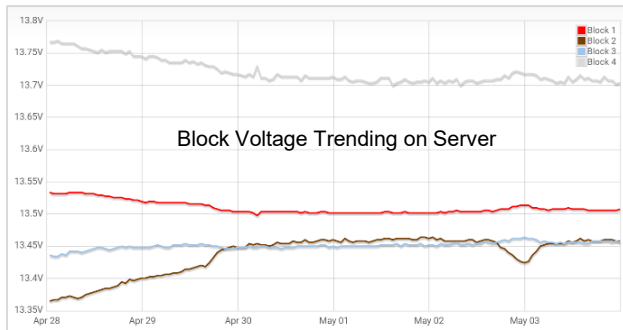
Affordable Wireless IoT Voltmeter Tracks Battery Performance

Create Sales Advantage and Better Service Contracts

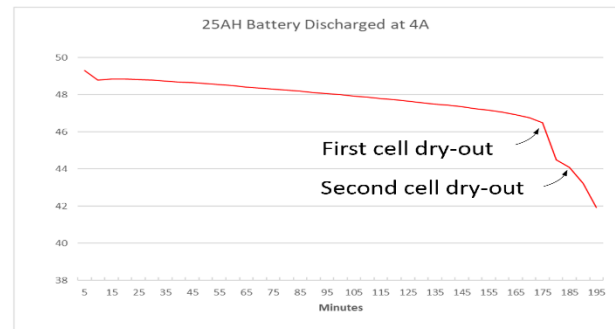
LABRA Technology defines a *new era* in battery remote monitoring for organizations that install or test batteries. The highly secure Enterprise grade GPS tracking solution provides battery status and capacity analytics using a high-precision voltmeter chip and the patented algorithm developed at Bell Labs.

Unprecedented visibility and peace of mind for a low-monthly subscription (~ 1/2 hourly cost for a technician).

Use #1: Baseline first year to ensure proper battery formation and detect premature battery failure (3%).



Use #2: Track later year(s) to detect irregularities or possible dry-out condition if the type is a VRLA.



Use #3: Create *your* Master Dashboard (all clients) but also grant each client access to *their* Master Dashboard.

STATE-OF-HEALTH (SOH)

Calculated Reserve Time (CRT) below EOL threshold (e.g. 80%).

Midstring Voltage Imbalance threshold exceeded (e.g. 1.0 V).

Bad voltage slope or low CRT; check battery or straps to pinpoint cause.

Click on Battery icon to show Discharge History

Name	Voltage	TTE	Last Report
Bailey	41.14		4, 2018, 1:16:28 PM
Broomfield	37.83		2018, 4:57:37 PM
CastleRock	28.80		2018, 9:39:10 AM

Map and List DUAL PANE VIEW

STATE-OF-CHARGE (SOC)

Charging at float > 24 hrs.

Charging at float < 24 hrs.

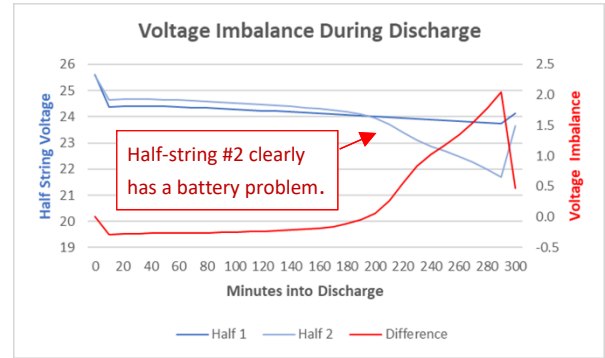
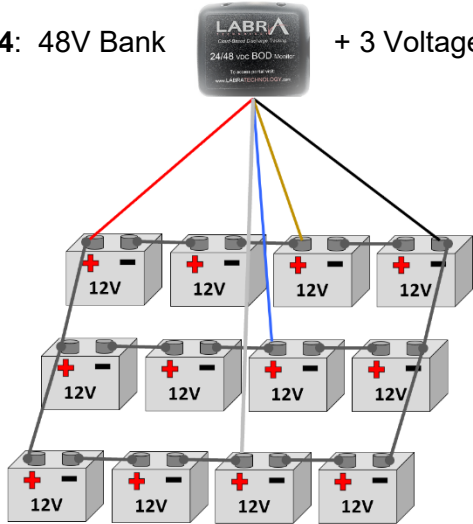
Charging below float voltage.

BOD Time to Empty (TTE) Fuel Gauge

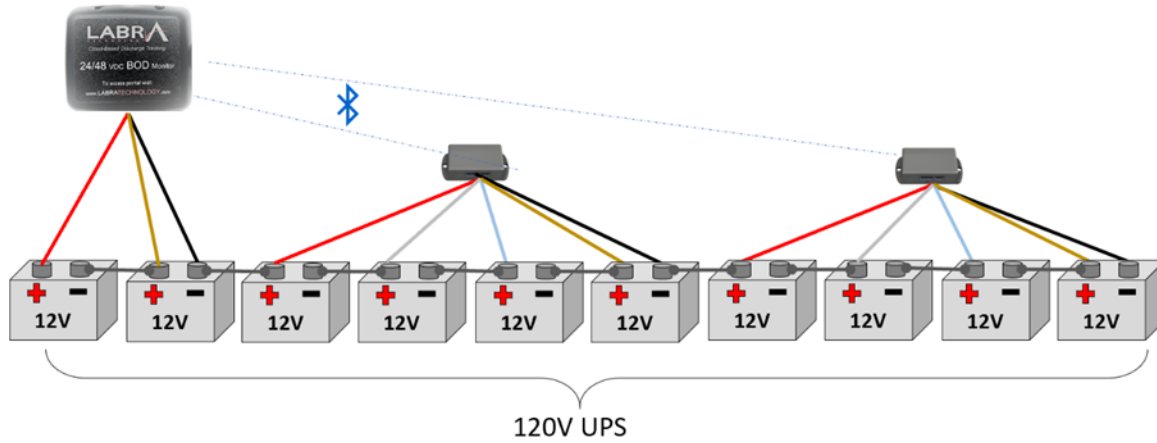
EXAMPLE WIRING CONFIGURATIONS

Portable Tool
for Temporary
Diagnostics

Use #4: 48V Bank + 3 Voltage Midpoints



Use #5: Bluetooth Extender Module for 2V Cells & Banks > 60 VDC



Use #6: Integrate External Equipment Alarms

